

CA-602D

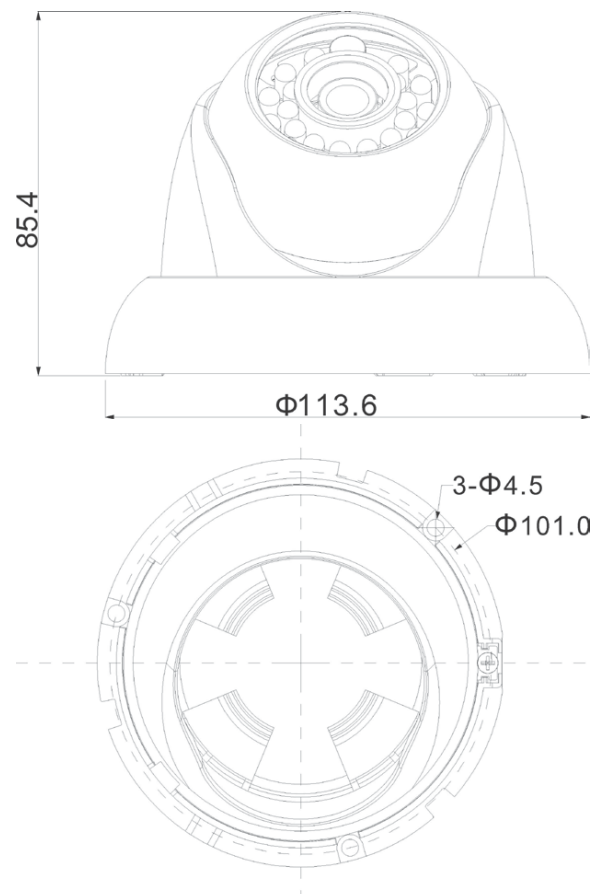
600TVL Water-proof IR Mini Dome Camera



Features

- > 1/3" HDIS
- > High resolution of 600TVL(Color)
- > DWDR, Day/Night, AWB, AGC, BLC
- > 3.6mm fixed lens (2.8mm, 6mm optional)
- > Max. IR LEDs length 20m, Smart IR
- > IP66, DC12V

Dimensions (mm)



CA-602D

Technical Specifications

Model	CA-602DP	CA-602DN
Camera		
Image Sensor	1/3" HDIS	
Effective Pixels	720(H) x480(V)	
Horizontal Resolution	Color: 600TVL	
Electronic Shutter	1/50s~1/100,000s	1/60s~1/100,000s
Synchronization	Internal	
Min. Illumination	0.1Lux@F1.2(0Lux IR LED on)	
S/N Ratio	> 60dB(AGC Off)	
Video Output	1Vp-p Composite Output (75Ω/BNC)	
Camera Features		
Max. IR LEDs Length	20m, Smart IR	
Day/Night	Auto(Electronic) / Color / B/W	
Backlight Compensation	BLC / DWDR	
White Balance	Auto	
Gain Control	Auto	
Lens		
Focal Length	3.6mm (2.8mm, 6mm optional)	
Mount Type	M12	
General		
Power Supply	DC12V±10%	
Power Consumption	Max 3W	
Working Environment	-40°C~+60°C / 20%~80%RH	
Ingress Protection	IP66	
Dimensions	Φ113.6mm x 85.4mm	
Weight	300g	