

NC3-FW30

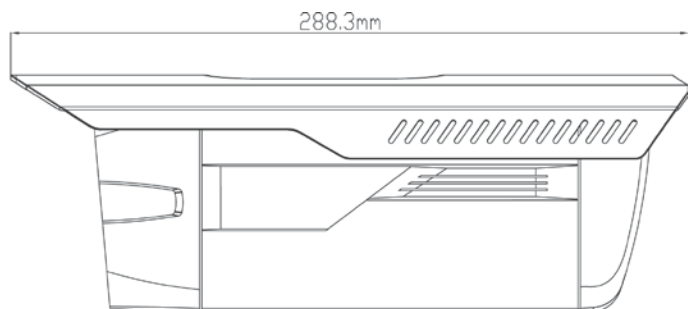
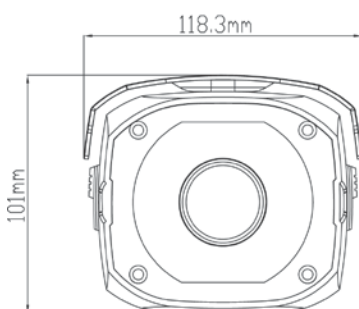
3Megapixel Full HD Network IR Camera



Features

- 1/2.8" 3Megapixel progressive scan Exmor CMOS
- H.264 & MJPEG dual-stream encoding
- Max 20fps@3.0M(2048×1536)&25/30fps@1080P(1920×1080)
- DWDR, Day/Night(ICR), 2DNR, Auto iris, AWB, AGC, BLC
- Multiple network monitoring: Web viewer, CMS(DSS/PSS) & DMSS
- 8~16mm varifocal lens
- Built-in 2/1 alarm in/out
- Max. IR LEDs length 30m
- Micro SD memory, IP66, PoE,

Dimensions (mm)



Technical Specifications

Model	NC3-FW30P		NC3-FW30N	
Camera				
Image Sensor	1/2.8" 3Megapixel Exmor CMOS			
Effective Pixels	2096(H)x1561(V)			
Scanning System	Progressive			
Electronic Shutter Speed	Auto/Manual, 1/3~1/10000s		Auto/Manual, 1/4~1/10000s	
Min. Illumination	Color: 0.2Lux/F1.6, B/W: 0.01Lux/F1.6, 0 Lux(IR on)			
S/N Ratio	>50dB			
Video Output	1 channel, BNC(1.0Vp-p, 75Ω)			
Camera Features				
Max. IR Length	30m			
Day/Night	Auto(ICR)/Color/B/W			
Backlight Compensation	BLC / HLC / DWDR			
White Balance	Auto			
Gain Control	Auto/Manual			
Noise Reduction	2D			
Privacy Masking	Up to 4 areas			
Lens				
Focal Length	8~16mm			
Max Aperture	F1.6			
Focus Control	Manual			
Angle of View	H: 50° (Wide)~26°(Tele)			
Lens Type	Manual / Auto Iris (DC)			
Mount Type	CS			
Video				
Compression	H.264 / MJPEG			
Resolution	3.0M(2048×1536) / 1080P(1920×1080) / 720P(1280×720) / D1(704×576) / CIF(352×288) /		3.0M(2048×1536) / 1080P(1920×1080) / 720P(1280×720) / D1(704×480) / CIF(352×240)	
Frame Rate	Main Stream	3M(1~20fps)/1080P/720P(1 ~ 25/30fps)		
	Sub Stream	D1/CIF(1 ~ 25/30fps)		
Bit Rate	H.264: 32K ~ 8192Kbps, MJPEG: 32K ~ 24576Kbps			
Audio				
Compression	G.711a / G.711u(64kbps) / PCM(128kbps)			
Interface	1/1 channel In/Out			
Network				
Ethernet	RJ-45 (10/100Base-T)			
Protocol	IPv4/IPv6, HTTP, HTTPS, SSL, TCP/IP, UDP, UPnP, ICMP, IGMP, SNMP, RTSP, RTP, SMTP, NTP, DHCP, DNS, PPPOE, DDNS, FTP, IP Filter, QoS, Bonjour			

NC3-FW30



ONVIF	ONVIF Ver. 2.0
Max. User Access	10 users
Smart Phone	iPhone, iPad, Android, Windows Phone
Auxiliary Interface	
Memory Slot	Micro SD, Max 32GB
Alarm	2/1 channel In/Out
General	
Power Supply	DC12V(AC24 optional), PoE(802.3af)
Power Consumption	<15W
Working Environment	-10°C~+60°C, 10%~90%
Ingress Protection	IP66
Dimensions(W×D×H)	118.3×288.3×101mm
Weight	2.5kg