

NSDB-10

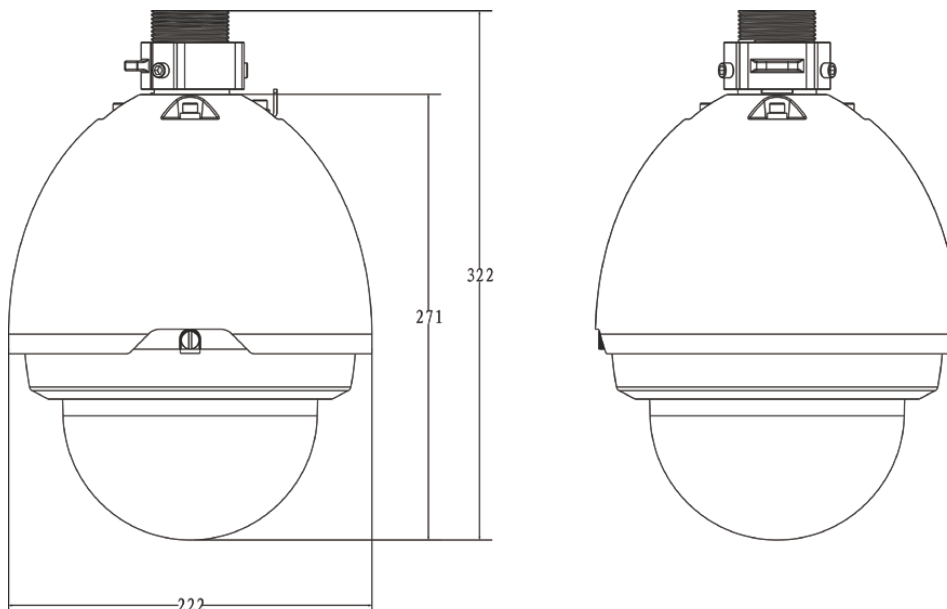
1.3Mp HD Network PTZ Dome Camera



Features

- 18x optical zoom
- H.264 & MJPEG dual-stream encoding
- Max. 25/30fps @1.3M(1280×960) & 720P resolution
- WDR, Day/Night(ICR), DNR (2D&3D),Auto iris, Auto focus, AWB, AGC,BLC
- Multiple network monitoring: Web viewer, CMS(DSS/PSS) & DMSS
- Max 400°/s pan speed, 360° endless pan rotation
- Up to 255 presets, 5 auto scan, 8 tour, 5 pattern
- Built-in 7/2 alarm in/out
- Support intelligent 3D positioning with DH-SD protocol
- Micro SD memory, IP67, easy installation

Dimensions (mm)



Technical Specifications

Model		NSDB-10	
Camera			
Image Sensor		1/3" CMOS	
Effective Pixels	1280(H) x 960(V)		
Scanning System	Progressive		
Electronic Shutter Speed	PAL:1/3~1/10000s NTSC:1/4~1/10000s		
Min. Illumination		Color: 0.05Lux/F1.6 B/W: 0.005Lux/F1.6	
S/N Ratio	More than 50dB		
Video Output	BNC(1.0Vp-p/75Ω), PAL / NTSC		
Camera Features			
Day/Night	Auto(ICR) / Color / B/W		
Backlight Compensation		BLC / HLC / WDR	
White Balance	Auto, ATW, Indoor, Outdoor, Manual		
Gain Control	Auto / Manual		
Noise Reduction	2D / 3D		
Privacy Masking	Up to 24 areas		
Digital Zoom		16x	
Lens			
Focal Length	4.7mm~84.6mm (18x Optical zoom)		
Max Aperture		F1.6~F2.7	
Focus Control	Auto / Manual		
Angle of View	H: 55.2°~3.2°		
Close Focus Distance	100mm(wide) ~ 1500mm(Tele)		
PTZ			
Pan/Tilt Range	Pan: 0° ~ 360° endless; Tilt: -2° ~ 90°, auto flip 180°		
Manual Control Speed	Pan: 0.1° ~ 300°/s; Tilt: 0.1° ~ 250°/s		
Preset Speed	Pan: 400°/s; Tilt: 300°/s		
Preset	80(DH-SD), 255(Pelco-P/D)		
PTZ Mode	5 Pattern, 8 Tour, Auto Pan, Auto Scan		
Speed Setup	Human-oriented focal length/ speed adaptation		
Power up Action	Auto restore to previous PTZ and lens status after power failure		
Idle Motion	Activate Preset/Pan/Scan/Tour/Pattern if there is no command in the specified period		
Time Task	Auto activation of Preset/Pan/Scan/Tour/Pattern by preset-time		
Protocol	DH-SD, Pelco-P/D (Auto recognition)		
Video			
Compression	H.264 / MJPEG		
Resolution	1.3M(1280×960) / 720P(1280×720) / D1(704×576/704×480) / CIF(352×288/352×240)		

NSDB-10

Frame Rate	Main Stream	1.3M(1 ~ 25/30fps), 720P(1 ~ 25/30fps)
	Sub Stream	D1/CIF(1 ~ 25/30fps)
Bit Rate	H.264: 56K ~ 8192Kbps, MJPEG: 56K ~ 20480Kbps	
Audio		
Compression	G.711a / G.711u(32kbps) / PCM(128kbps)	
Interface	1/1 channel In/Out	
Network		
Ethernet	RJ-45 (10/100Base-T)	
Protocol	IPv4/IPv6, HTTP, HTTPS, SSL, TCP/IP, UDP, UPnP, ICMP, IGMP, SNMP, RTSP, RTP, SMTP, NTP, DHCP, DNS, PPPOE, DDNS, FTP, IP Filter, QoS, Bonjour	
ONVIF	ONVIF Ver. 2.0 conformance	
Max. User Access	20 users	
Smart Phone	iPhone, iPad, Android, Windows Phone	
Auxiliary Interface		
Memory Slot	Micro SD, Max 32GB	
RS485	1	
Alarm	7/2 channel In/Out	
General		
Power Supply	AC 24V/3A (±10%) / DC12V optional	
Power Consumption	15W, 40W(Heater on)	
Working Environment	-40°C ~ 60°C / Less than 90% RH	
Protection Level	IP67, IK10 optional	
Dimensions	Φ222(mm) x 322 (mm)	
Weight	5.0kg	